



Step by Step Instructions

Racking Assembly

Note: All bolts and spacers supplied. Assemble frame with all bolts finger tight until assembly is complete. Then go though and tighten.

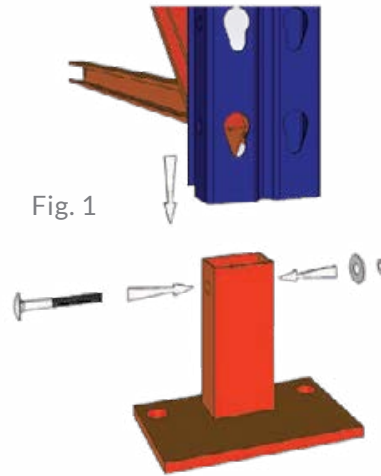


Fig. 1

Step 1 | Take two posts and fit the feet with 2 x M10 x 40 bolts supplied to the bottom of post. The feet may only fit one end of post as hole distance from end to end can vary. (Fig. 1)



Fig. 2

Step 2 | Lay the posts parallel at approx desired width of frame (900, 1200 etc.) (Fig. 2)



Fig. 3

Step 3 | Take two horizontal braces, which will be the shorter of the two supplied and lay in place one at the top approx 2-3 holes down from the top of post and one at the bottom approx 2-3 holes up from the foot. (Fig. 3)

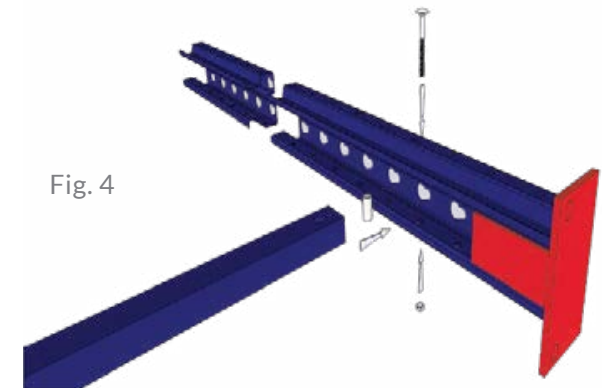


Fig. 4

Step 4 | Start by bolting horizontal brace to one post in position shown in the Brace Position Chart, according to size. Use spacer supplied. (Fig. 4) Starting at the bottom or foot end.



Safety barrier options

Victor Pro Post Protectors

Provide extra benefits when loading or off-loading stock. Providing safety for personnel especially when using forklift equipment by means of protecting the vital supports of your warehouse racking.

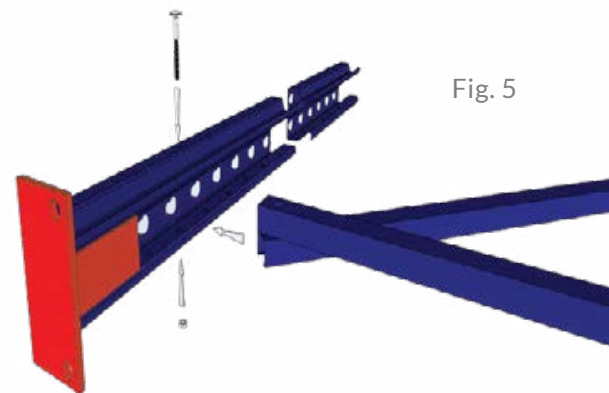


Fig. 5

Step 5 | Next, bolt through horizontal and diagonal brace - no spacer required.(Fig. 5)

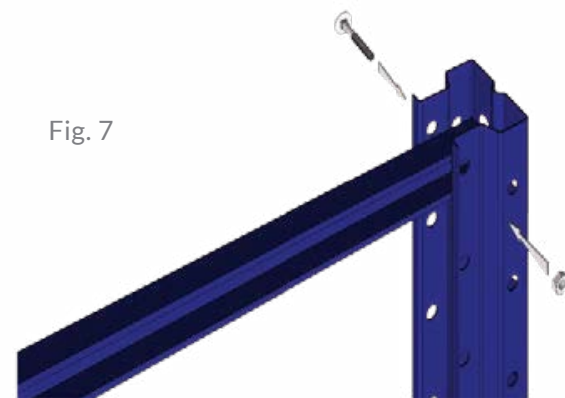


Fig. 7

Step 7 | Finish assembly with another horizontal brace with a spacer used on final bolt. (Fig. 7)



Fig. 6

Step 6 | Check that horizontal brace is square to posts before fitting the remainder of the diagonal braces, working from the bottom up. (Fig. 6)

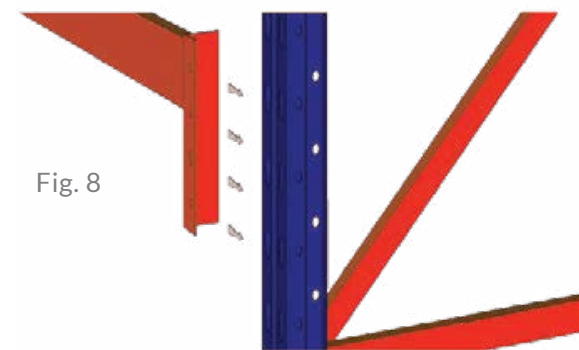


Fig. 8

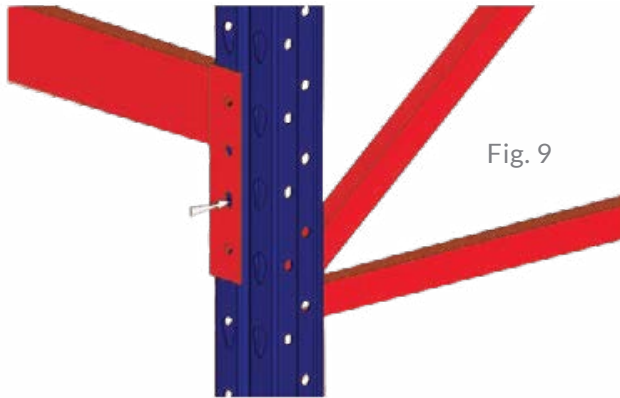
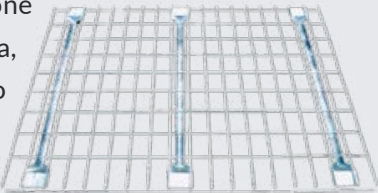
Step 8 | Stand assembled frames on their feet and fit beams at desired heights, starting at the bottom and working up. The connections should slot into posts without force. Once in position they should be hammered in tight with a soft face hammer of reasonable weight. (Fig. 8)



Shelving options

Mesh Deck

At Novalok we carry an assortment of wire mesh decks as an alternative to safety bars. Each mesh deck has a capacity rating that exceeds 2,000 lbs UDL (uniform distributed load) This means that it can carry 2,000 lbs as long as the load is distributed along the entire surface of the mesh deck, and not on any one particular smaller area, commonly referred to as a point load.



Step 9 | When all the beams are fitted and hammered down, insert locking clips to prevent accidental removal of beams, this is a requirement stated by OSH. Failure to fit clip could result in an accident. (Fig. 9)

Step 10 | When assembly of all units is complete, place them in desired position, straight lines, parallel etc. allowing sufficient space between rows for forklift operation as provided by forklift manufacturing specification. Once you are entirely happy with positioning, bolt feet to the floor with the fixing provided. Drill size for dynabolts is 14mm.



Step 11 | Check frames for 'plumb' within 1mm in 500mm i.e. 3 meter frames within 6mm, 6 meter frames within 12mm. Place shims under feet if necessary to achieve this.

NOTE: Failure to set up plumb as in step 11 reduces loading capacity and invalidates guarantee. Rule of thumb for aisle width is: Length of Forklift from tip of forks to back of counterweight plus 100mm.