



Z Series

Starter Unit Assembly & Full Bridge.

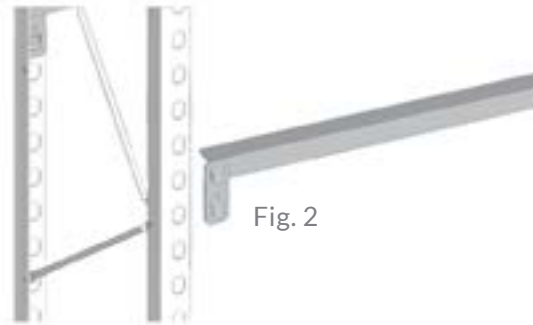
Step by step instructions for the Z series racking systems.

Fig. 1



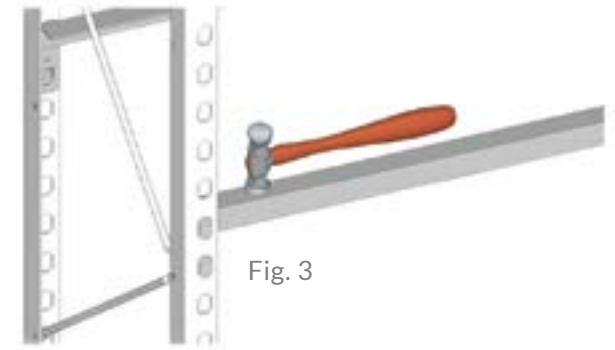
Step 1 | Start with end frames, make sure feet are adjusted evenly, lean one frame against a wall or hold in the vertical position with feet on the floor. (Fig. 1)

Fig. 2



Step 2 | Select the correct size rail/beam and clip the connector into end frame at the desired level, starting at the bottom. Note; food safety regulations require the bottom shelf to be 200mm above the floor. (Fig. 2)

Fig. 3



Step 3 | Tap rails down firmly using a soft face hammer. Note: Hammer only on the front edge of rail. Failure to do this will result in bending the clip. (Fig. 3)

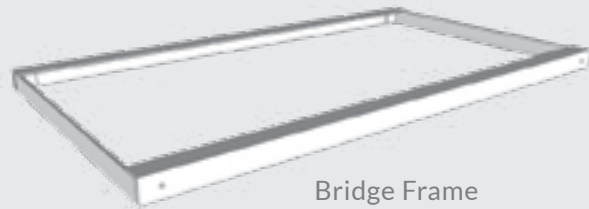
Fig. 4



Step 4 | Stand the second matching end frame in position and clip rail connector into the rear post in the identical matching position as the other frame. The two frames will now stand self-supported. (Fig. 4)

For where bridge goes between two shelf units

Additional components for Full Bridge.



Bridge Frame



Cleat



Mounting Clip

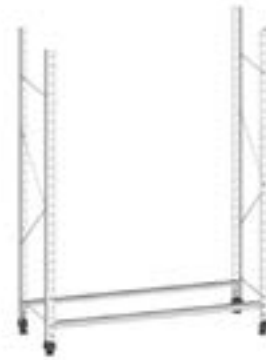


Fig. 5a



Fig. 5b



Fig. 5c

Step 5 | Continue fitting rails, working up from the bottom. Note: it is important to always work up from the bottom. (Fig. 5a-5c)



Step 6 | When Full Bridging Shelves are used, first assemble the free standing modules as far as step 5. (You will require 2 free standing modules)

Step 7 | Position shelf modules in desired location.



Fig.8a

Fig.8b



Fig.8c

Fig.8d

Step 8 | Fit folded sheet metal mounting clips to shelf rails by first hooking the over folded edge over the inner edge of the shelf rail, then rotating forward to sit neatly over the angle rail. (Fig. 8a-8c)

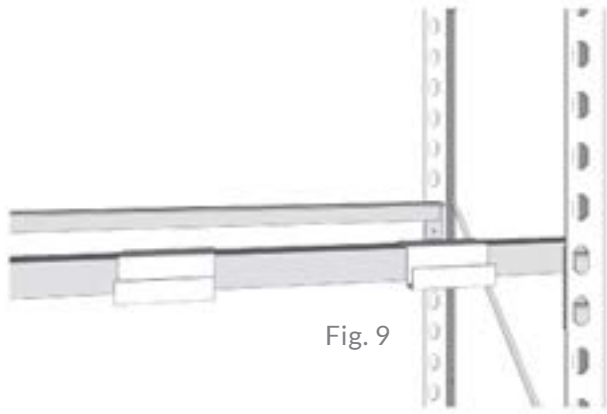


Fig. 9

Step 9 | Slide these along the rail into the appropriate positions. (Fig.9)

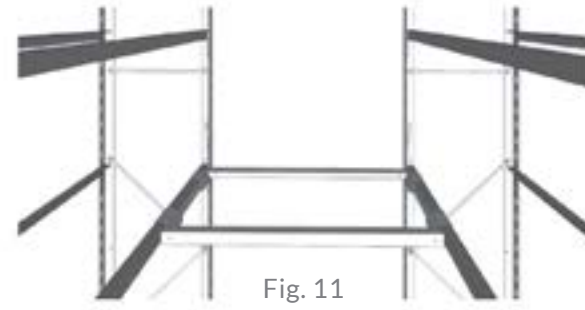


Fig. 11

Step 11 | Lower Bridge Frames into the mounted clip taking care to ensure the clips are at the outer extremity of the Bridging Frame. (Fig.11)



Fig. 13

Step 13 | Now is the best time to check the unit is standing plumb and level, adjust the feet if necessary. (Fig.13)

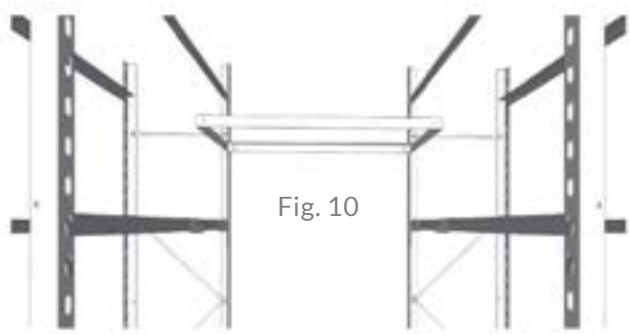


Fig. 10

Step 10 | Check distance between shelf modules to suit the length of the assembled bridging frames. (Fig.10)

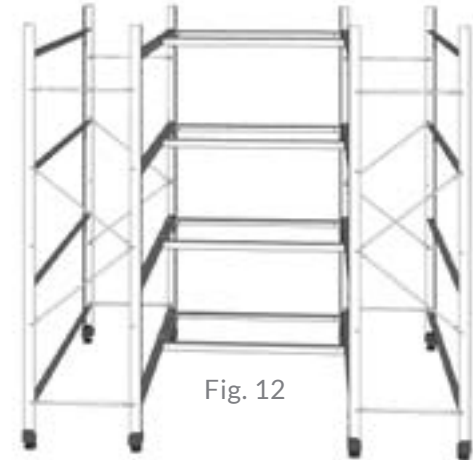


Fig. 12

Step 12 | Continue this process with all levels. (Fig. 12)

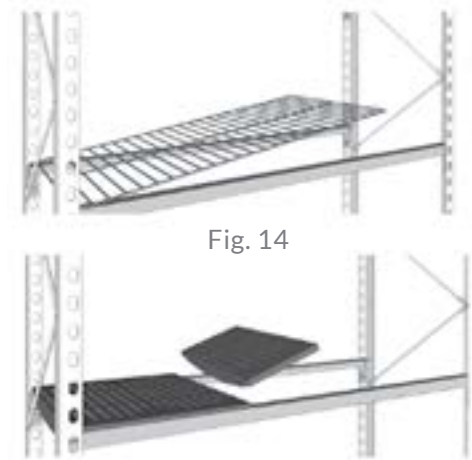


Fig. 14

Step 14 | With the support structure all in place, the shelf panels or wire racks can be fitted. (Fig.14) Your installation is now complete.